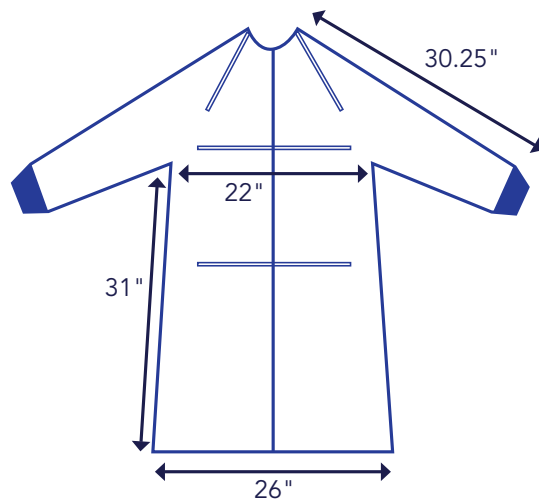


How to: Sew Gowns for Healthcare Workers

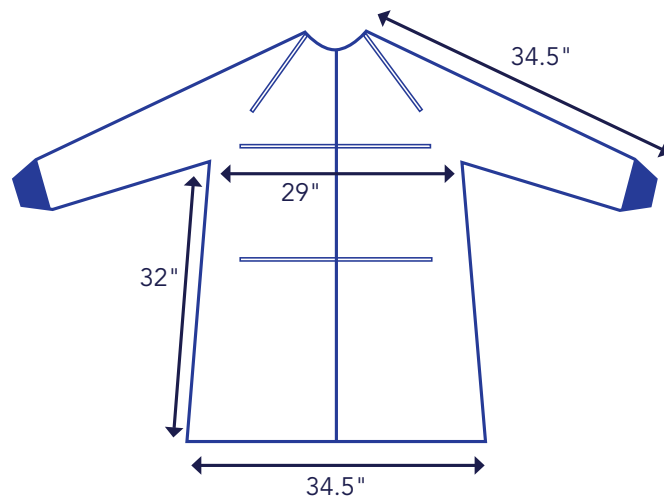
The coronavirus pandemic has led to a critical shortage of disposable and cloth gowns for our providers. Please consider helping by making and donating cloth gowns. Here's how:

- 1) Find a pattern online. There are many options available. We have links to a pattern on our website: bristolhealth.org/donate
- 2) Use the measurements/specifications below as guidance.
- 3) Select polyester or polyester-cotton fabrics. Gowns made of these fabrics can be safely laundered using routine procedures and reused. See chart below for more detailed info.
- 4) Contact Julia Belanger at jbelange@bristolhospital.org or at **860.261.6384** for instructions on where to drop off donations.

Measurements for small/medium gowns



Measurements for large/extra large gowns



Material Options	Synthetic fibers (e.g. Polypropylene, Polyester, Polyethylene)
	Spunbond Polypropylene Standard
	Spunbond/Meltblown/Spunbond (SMS)
	Coated Polypropylene ("Poly-Coated") Soft. Spunbond Polypropylene is coated with a layer of Polyethylene (Plastic) Film.
	Polyethylene (Plastic) Film
	Outer layers—Spunbond Polypropylene

For more on COVID-19 visit bristolhealth.org/coronavirus.